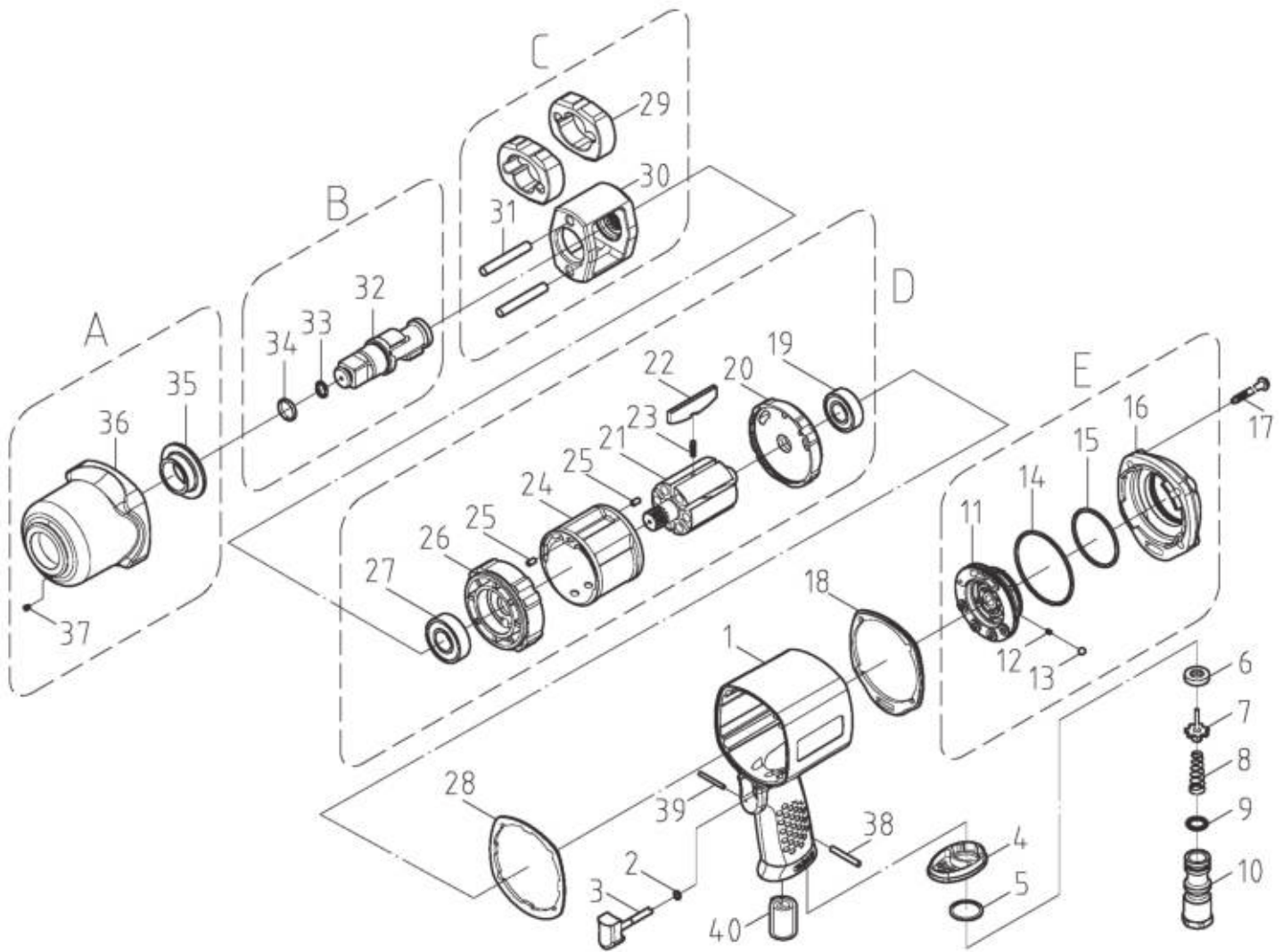


Technical Details	Speed	Square Drive	Max. Torque	Length	Weight	Air Consumption	Air Inlet	Noise (DB)	Uncertainty (DB)	Vibration	Working Pressure
	RPM		Nm/ft-lb	mm/inch	kg/lb	LPM / CFM	inch	LpA LwA	KpA KwA	m/s <sup>2</sup>	Bar / PSI
<b>26215</b>	6,000	3/4	2092(1550)	209 (8.2)	3.0 (6.6)	198 (7.0)	3/8	96.9 107.9	3	6.8	6.2(90)



Index No.	Description	Quantity	Index No.	Description	Quantity	Index No.	Description	Quantity
1	Housing	1	15	O-Ring	1	29	Hammer	2
2	O-Ring	1	16	Cover	1	30	Hammer Cage	1
3	Trigger	1	17	Screw	4	31	Hammer Pin	2
4	Exhaust Deflector	1	18	Packing	1	32	Anvil	1
5	Washer	1	19	Ball Bearing	1	33	O-Ring	1
6	Oil Seal	1	20	Rear Plate	1	34	Anvil Collar	1
7	Pin Valve Rod	1	21	Rotor	1	35	Bushing	1
8	Cone Spring	1	22	Blade	6	36	Front Casing	1
9	O-Ring	1	23	Spring	6	37	Oil Drop	1
10	3/8" Air Inlet	1	24	Cylinder	1	38	Spring Pin	1
11	Reverse Lever	1	25	Spring Pin	2	39	Spring Pin	1
12	Spring	1	26	Front Plate	1	40	Muffler Filter	1
13	Steel Ball	1	27	Ball Bearing	1			
14	O-Ring	1	28	Packing	1			