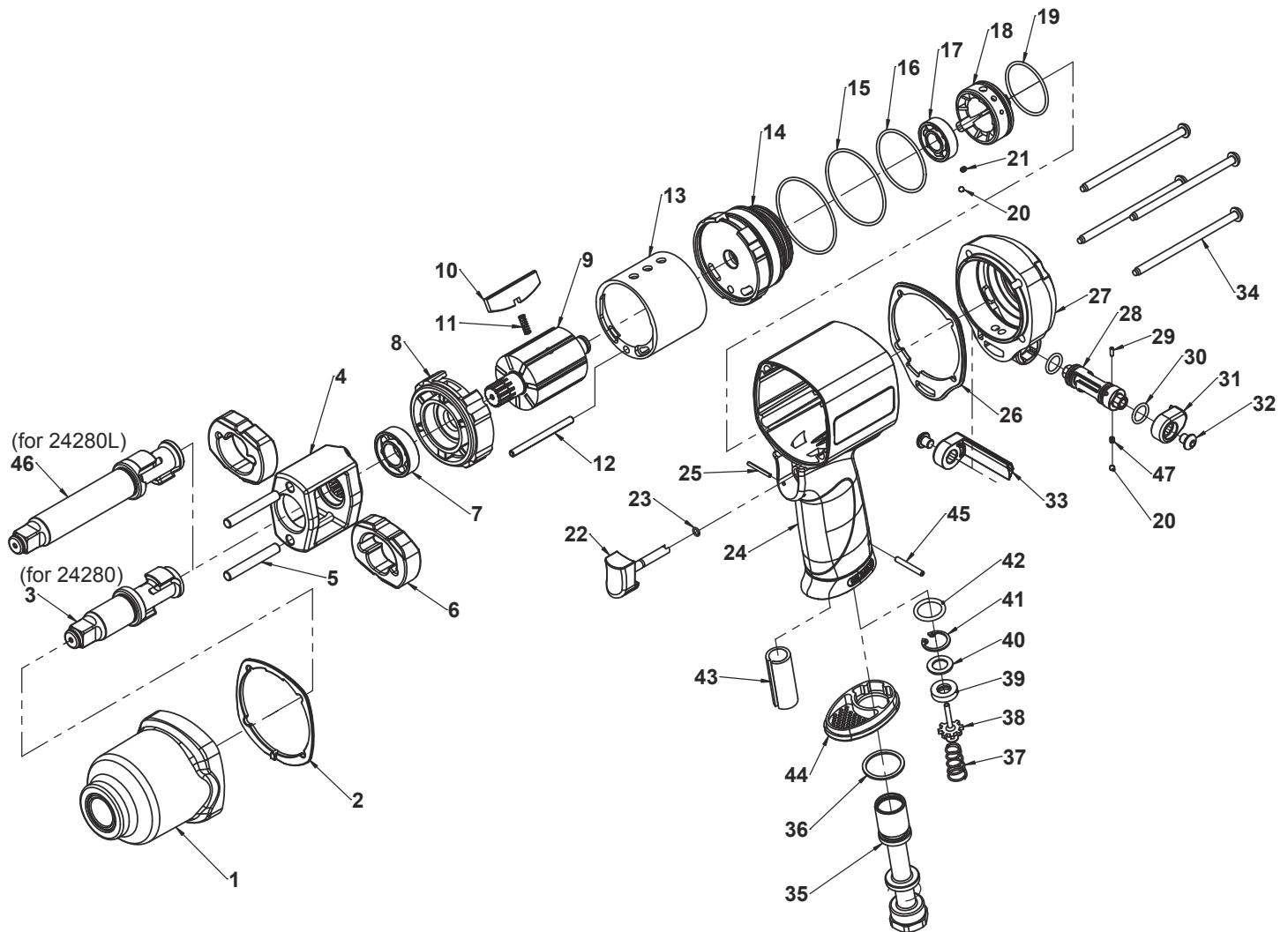


| Technical Details | Speed | Square Drive | Max. Torque | Length | Weight | Air Consumption | Air Inlet | Noise (DB) | Uncertainty (DB) | Vibration | Working Pressure |
|-------------------|-------|--------------|-------------|-----------|-----------|-----------------|-----------|------------|------------------|------------------|------------------|
| | RPM | | Nm/ft-lb | mm/inch | kg/lb | LPM / CFM | inch | LpA LwA | KpA KwA | m/s ² | Bar / PSI |
| 24280 | 7,500 | 1/2 | 880 (650) | 197 (7.8) | 2.2 (4.8) | 132 (4.6) | 1/4 | 86.4 97.4 | 3 | 5.76 | 6.3(90) |
| 24280L | | | | 248 (9.8) | 2.3 (5.0) | | | | | 5.34 | |



* Due to our continuous improvement, all specifications are subject to change without prior notice.

| Index No. | Description | Quantity | Index No. | Description | Quantity | Index No. | Description | Quantity |
|-----------|---------------------|----------|-----------|----------------------|----------|-----------|-------------------------|----------|
| 01 | Front Casing Set | 1 | 17 | Ball Bearing | 1 | 33 | Knob | 1 |
| 02 | Packing | 1 | 18 | Regulator Knob | 1 | 34 | Screw | 4 |
| 03 | Anvil Set for 24280 | 1 | 19 | O-Ring | 1 | 35 | Air Inlet | 1 |
| 04 | Hammer Cage | 1 | 20 | Steel Ball | 2 | 36 | Washer | 1 |
| 05 | Hammer Pin | 2 | 21 | Spring | 1 | 37 | Spring | 1 |
| 06 | Hammer | 2 | 22 | Trigger | 1 | 38 | Pin Valve Rod | 1 |
| 07 | Ball Bearing | 1 | 23 | O-Ring | 1 | 39 | Oil-Seal | 1 |
| 08 | Front Plate | 1 | 24 | Housing | 1 | 40 | Washer | 1 |
| 09 | Rotor | 1 | 25 | Spring Pin | 1 | 41 | Retaining Ring | 1 |
| 10 | Rotor Blade | 7 | 26 | Packing | 1 | 42 | O-Ring | 1 |
| 11 | Spring | 7 | 27 | Cover | 1 | 43 | Muffler | 1 |
| 12 | Spring pin | 1 | 28 | For. / Rev. Director | 1 | 44 | Exhaust Deflector | 1 |
| 13 | Cylinder | 1 | 29 | Pin | 1 | 45 | Spring Pin | 1 |
| 14 | Rear Plate | 1 | 30 | O-Ring | 2 | 46 | 2" Anvil Set for 24280L | 1 |
| 15 | O-Ring | 2 | 31 | Knob | 1 | 47 | Spring | 1 |
| 16 | O-Ring | 1 | 32 | Screw | 2 | | | |