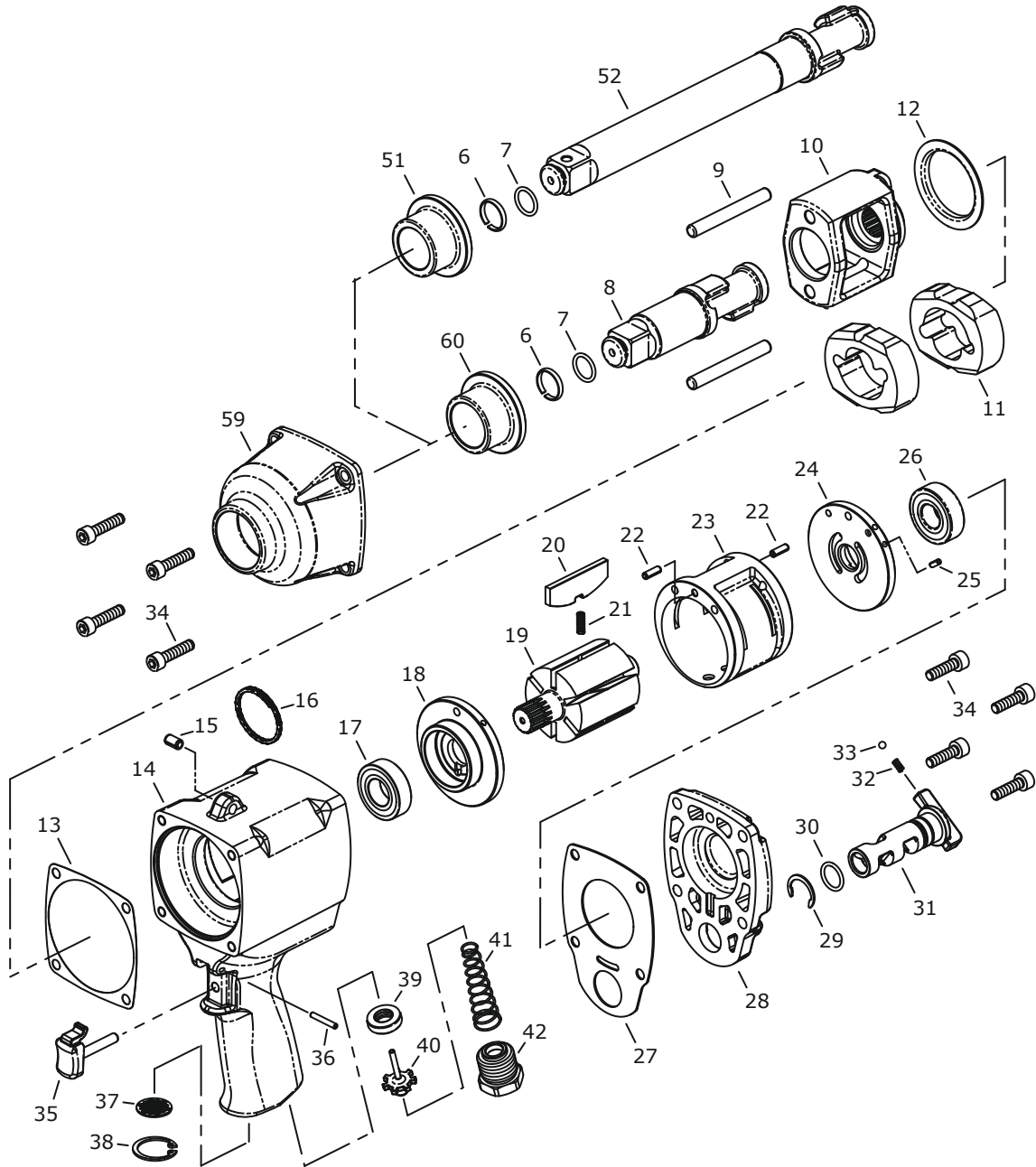


Technical Details	Speed	Square Drive	Max. Torque	Length	Weight	Air Consumption	Air Inlet	Noise (DB)	Uncertainty (DB)	Vibration	Working Pressure
	RPM		Nm/ft-lb	mm/inch	kg/lb	LPM / CFM	inch	LpA LwA	KpA KwA	m/s ²	Bar / PSI
26208	7,500	3/4	1898 (1400)	210 (8.27)	3.9 (8.58)	119 (4.2)	3/8	98.3 109.3	3	2.82	6.3(90)
26208L			1200 (885)	358.5 (14.11)	4.7 (10.34)						



Index No.	Description	Quantity	Index No.	Description	Quantity	Index No.	Description	Quantity
6	Socket Retainer	1	20	Rotor Blade	6	34	Screw	8
7	O-Ring	1	21	Spring	6	35	Trigger	1
8	Anvil (3/4")	1	22	Spring Pin	2	36	Spring Pin	1
9	Hammer Pin	2	23	Cylinder	1	37	Muffle Cover	1
10	Hammer Cage	1	24	Rear End Plate	1	38	Snap Ring	1
11	Hammer Dog	2	25	Spring Pin	1	39	Throttle Bushing	1
12	Hammer Washer	1	26	Ball Bearing	1	40	Valve Stem	1
13	Gasket	1	27	Gasket	1	41	Spring	1
14	Motor Housing	1	28	Housing Cap	1	42	House Fitting	1
15	Spring Pin	1	29	Retaining Ring	1	51	Anvil Bushing (3/4"x6" Ext.)	1
16	Hanger	1	30	O-Ring	1	52	Anvil (3/4" x 6" Extended)	1
17	Ball Bearing	1	31	Reverse Valve	1	59	Clutch Housing (Aluminum)	1
18	Front End Plate	1	32	Spring	1	60	Anvil Bushing (3/4")	1
19	Rotor	1	33	Steel Ball	1			