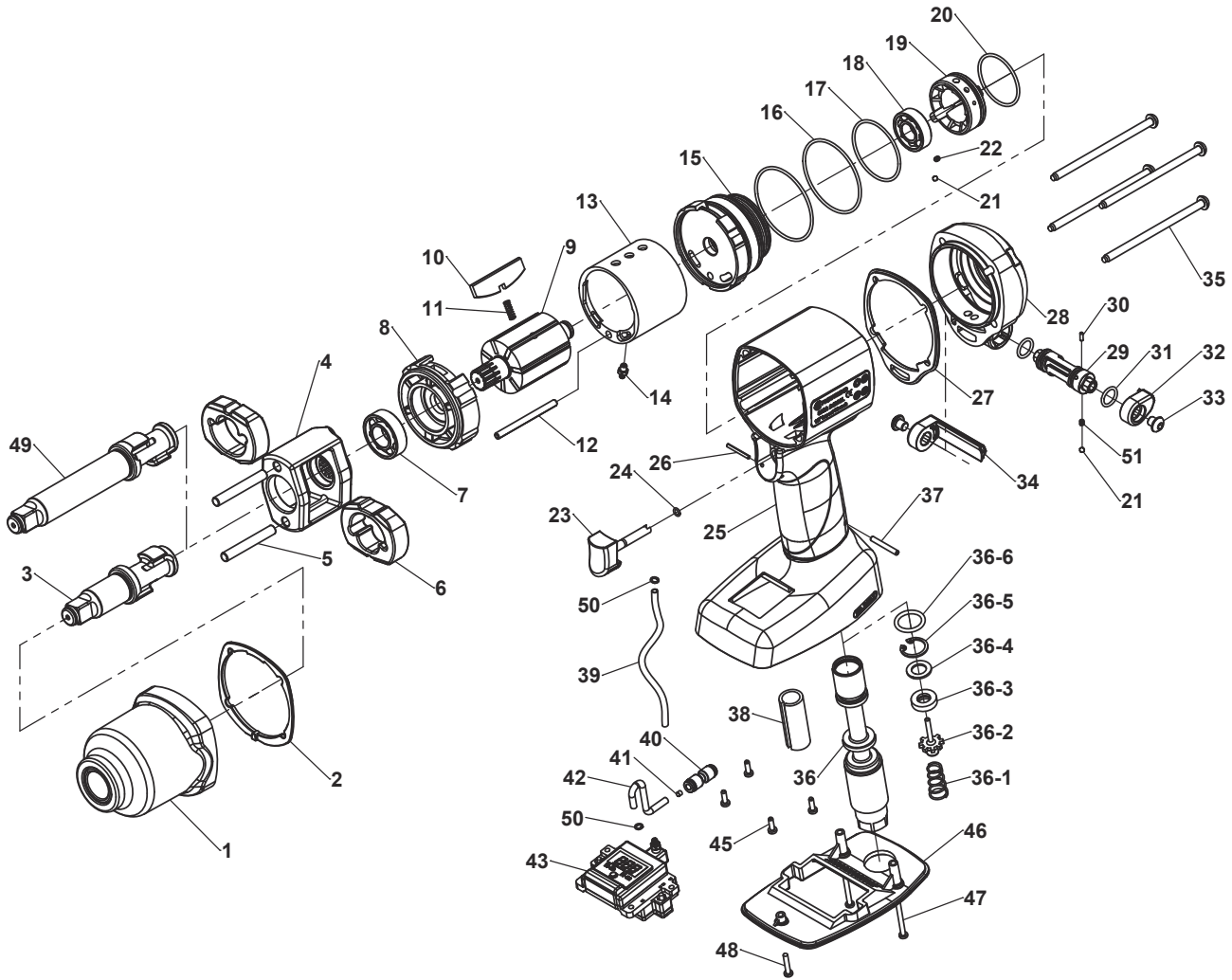


Technical Details	Speed RPM	Square Drive	Max. Torque Nm/ft-lb	Length mm/inch	Weight kg/lb	Air Consumption LPM / CFM	Air Inlet inch	Noise (DB) LpA LwA	Uncertainty(DB) KpA KwA	Vibration m/s <sup>2</sup>	Working Pressure Bar / PSI
<b>24290</b>	7,500	1/2	880 (650)	197 (7.8)	2.6 (5.7)	132 (4.6)	1/4	95.5 106.5	3	6.23	6.2(90)
<b>24290L</b>				248 (9.8)	2.7 (5.9)					7.22	



\* Due to our continuous improvement, all specifications are subject to change without prior notice.

Index No.	Description	Quantity	Index No.	Description	Quantity	Index No.	Description	Quantity
01	Front Casing Set	1	20	O-Ring	1	36-3	Seal	1
02	Packing	1	21	Steel Ball	2	36-4	Washer	1
03	Anvil Set for 24290	1	22	Spring	1	36-5	Retaining Ring	1
04	Hammer Cage	1	23	Trigger	1	36-6	O-Ring	1
05	Hammer Pin	2	24	O-Ring	1	37	Spring Pin	1
06	Hammer	2	25	Housing	1	38	Muffler	1
07	Ball Bearing	1	26	Spring Pin	1	39	Tube	1
08	Front Plate	1	27	Packing	1	40	Quick Joint	1
09	Rotor	1	28	Cover	1	41	Filter	1
10	Rotor Blade	7	29	For. / Rev. Director	1	42	Tube	1
11	Spring	7	30	Pin	1	43	Digital Gauge Asses.	1
12	Spring pin	1	31	O-Ring	2	44	3A Battery	3
13	Cylinder	1	32	Knob	1	45	Screw	4
14	Adaptor	1	33	Screw	2	46	Cover	1
15	Rear Plate	1	34	Knob	1	47	Screw	2
16	O-Ring	2	35	Screw	4	48	Screw	1
17	O-Ring	1	36	Air Inlet w/preset	1	49	2" Anvil Set for 24290L	1
18	Ball Bearing	1	36-1	Spring	1	50	Clip Ring	2
19	Regulator Knob	1	36-2	Pin Valve Rod	1	51	Spring	1